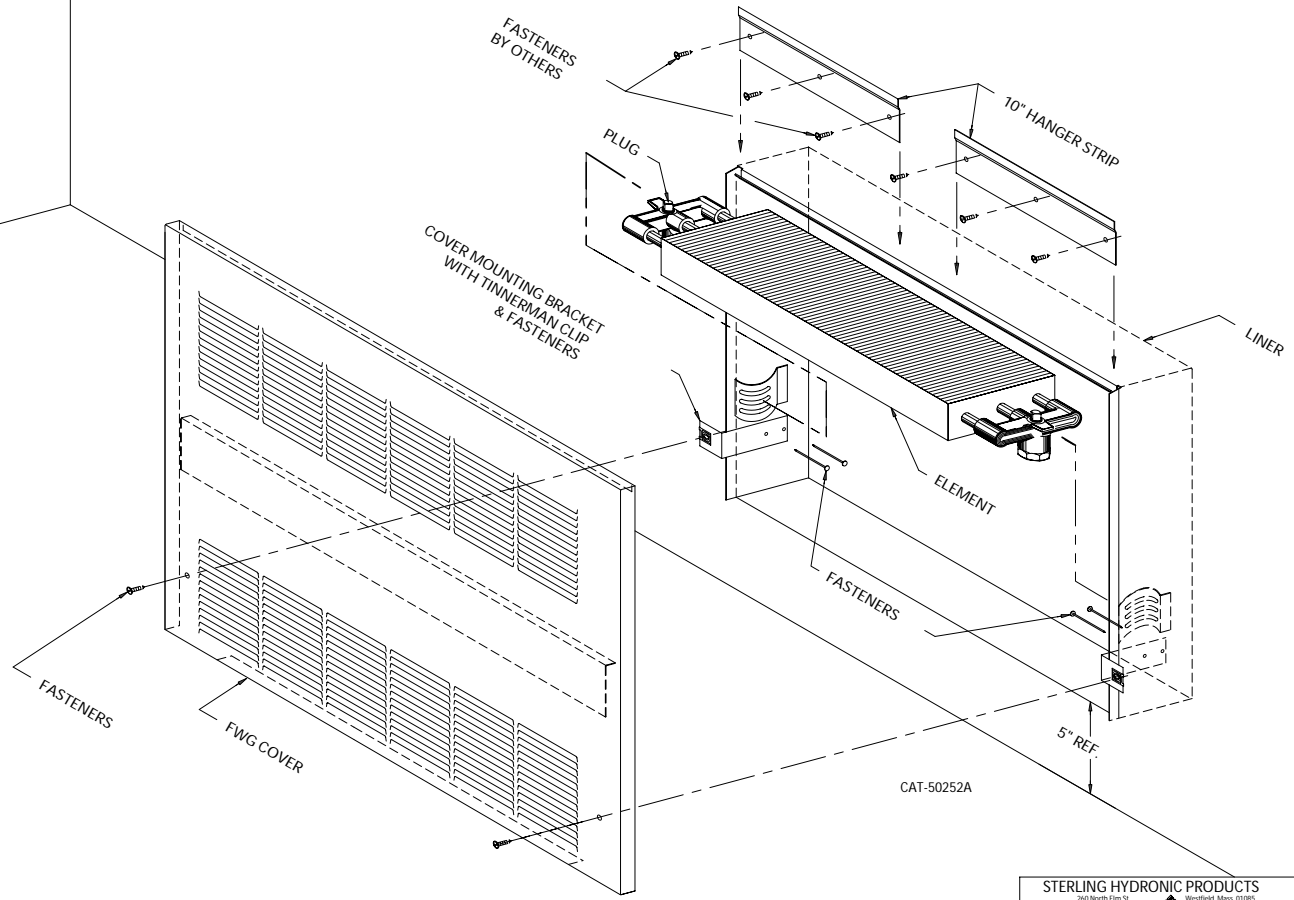


FWG Convector Installation Instructions



THIS PRINT AND ALL INFORMATION APPEARING THEREON IS THE PROPERTY OF THE STERLING HYDRONIC DIVISION OF MESTEK INC. NEITHER THE PRINT NOR THE INFORMATION THEREON MAY BE REPRODUCED OR USED IN ANY MANNER WHATSOEVER OR DIVULGED TO ANY OTHER PERSON UNLESS SPECIFICALLY AUTHORIZED BY MESTEK INC.

STERLING HYDRONIC PRODUCTS
2400 North 20th St. Westfield, Mass. 01095
DIVISION OF MESTEK, INC.

| | | | |
|------------|---------|----------|-----|
| DATE | 4/25/95 | JOB NAME | |
| DRAWN BY | SL | ELEMENT | |
| CHECKED BY | RJP | SCALE | 1=4 |

| | | | | | | | | | | | |
|------|---------|-----------------|---------|----|-------|-------|---------------------------|-----------|--|------|--|
| A | 2615 | REVISED/UPDATED | 2/17/98 | SL | | TITLE | INSTALLATION INSTRUCTIONS | DWG. NO. | | REV. | |
| LET. | ECN NO. | REVISION | DATE | BY | APVD. | | B-M C TYPE FWG | CAT-50252 | | A | |